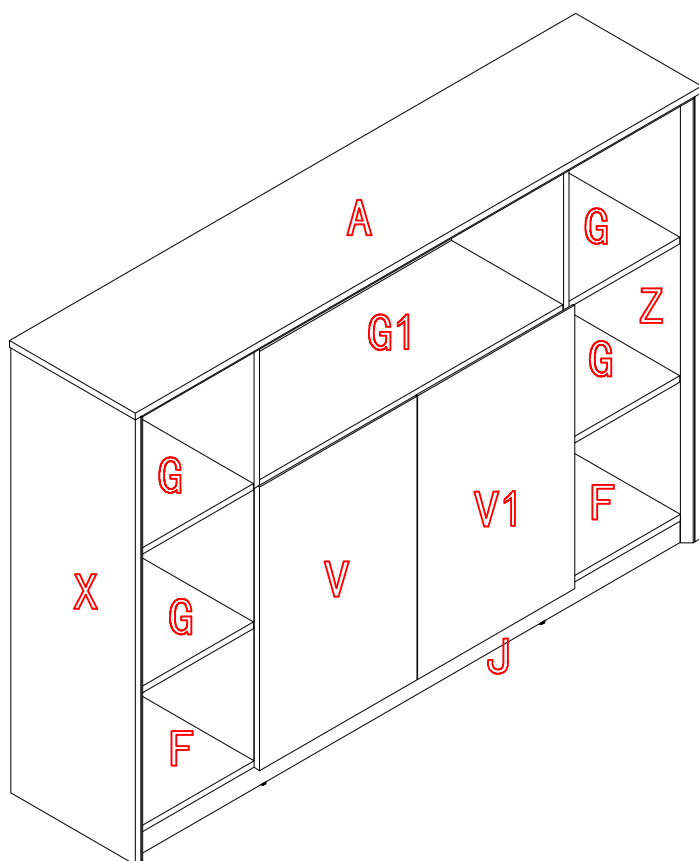





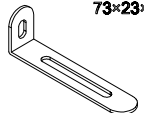
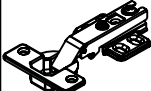
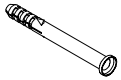
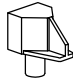

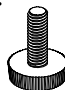


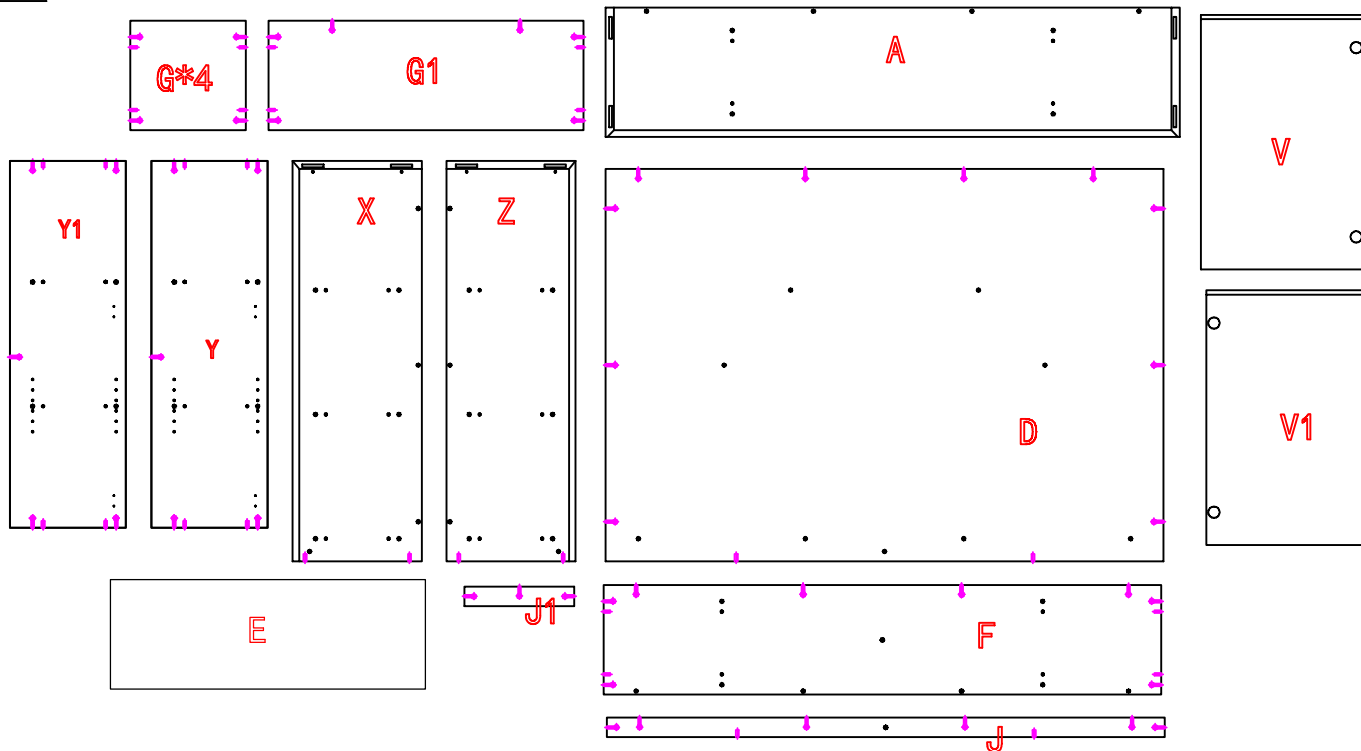
# Assembly Instructions

MODEL NO:M2-SU182



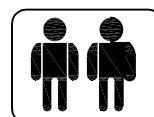
Pin  59PCS	6x35 1	Wood Screw  28PCS	4x16 7
Cam  59PCS	2	Allen Wrench  1PCS	M4 8
Cam Cover  59PCS	3	 73x23x15 2PCS	9
Hinge (full-overlay)  4PCS	4	 ø6x40 2PCS	10
Shelf Pin  4PCS	5	Wood Screw  2PCS	4x40 11
ADJ. Feet  8PCS	6		

## STEP1



### IMPORTANT NOTE:

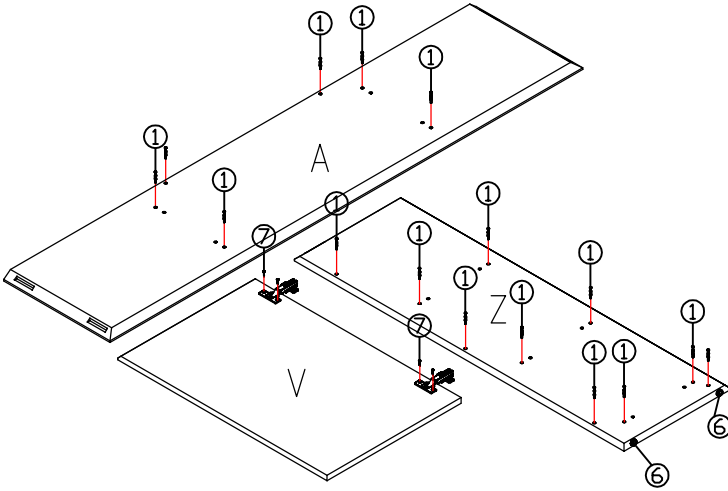
- Place all laminated parts on a clean and smooth surface such as a rug or carpet to avoid the parts from being scratched.
- Check to be sure that you have all parts and hardware.
- Remove all wrapping materials, including staples & packing straps before you start to assemble.
- Don't tighten all screws/bolts until all completely assembled.
- Keep all hardware parts out of reach of children



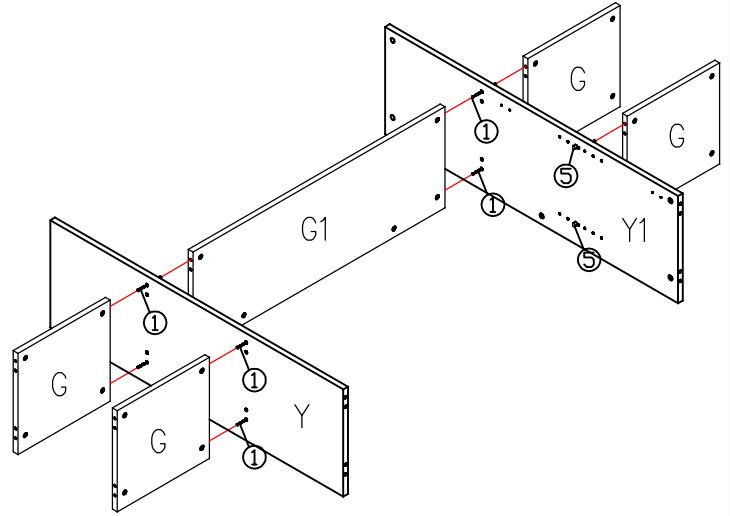
# Assembly Instructions

MODEL NO:M2-SU182

## STEP2

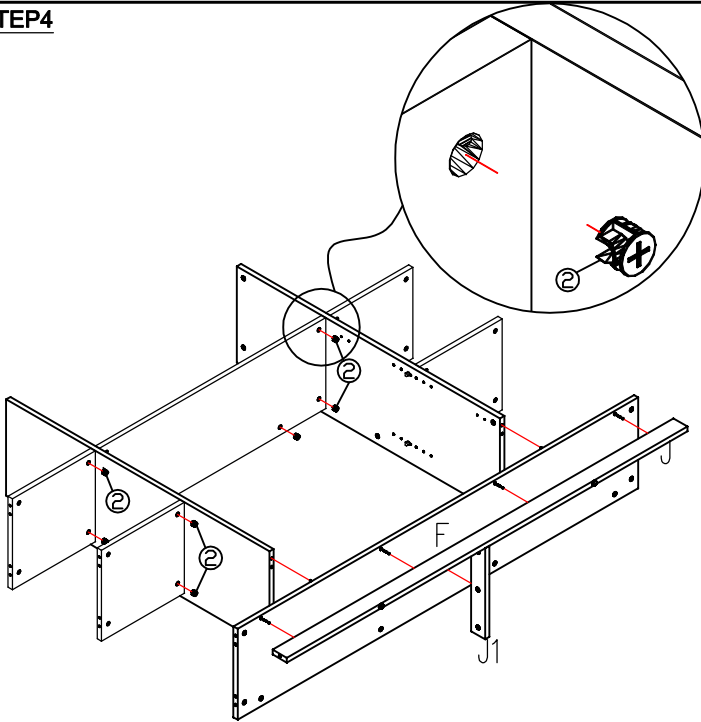


## STEP3



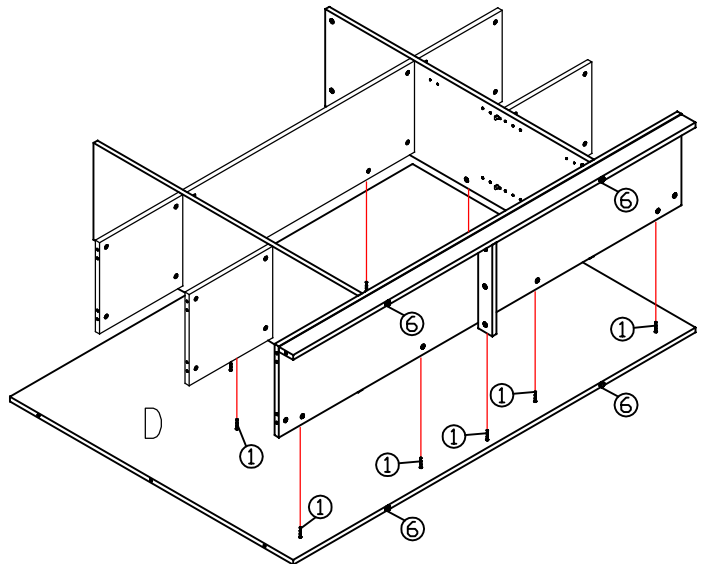
First insert the pin(part#1), then place the cam(part#2), and finally tighten/lock off after they have been put into the melamine.

## STEP4



First insert the pin(part#1), then place the cam(part#2), and finally tighten/lock off after they have been put into the melamine.

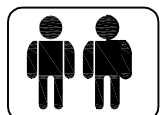
## STEP5



First insert the pin(part#1), then place the cam(part#2), and finally tighten/lock off after they have been put into the melamine.

### IMPORTANT NOTE:

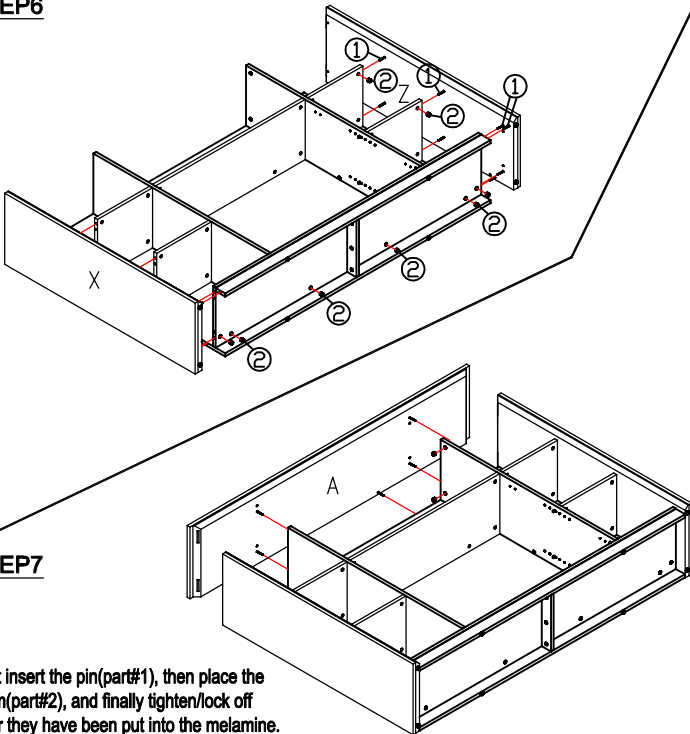
- Place all laminated parts on a clean and smooth surface such as a rug or carpet to avoid the parts from being scratched.
- Check to be sure that you have all parts and hardware.
- Remove all wrapping materials, including staples & packing straps before you start to assemble.
- Don't tighten all screws/bolts until all completely assembled.
- Keep all hardware parts out of reach of children



# Assembly Instructions

## MODEL NO:M2-SU182

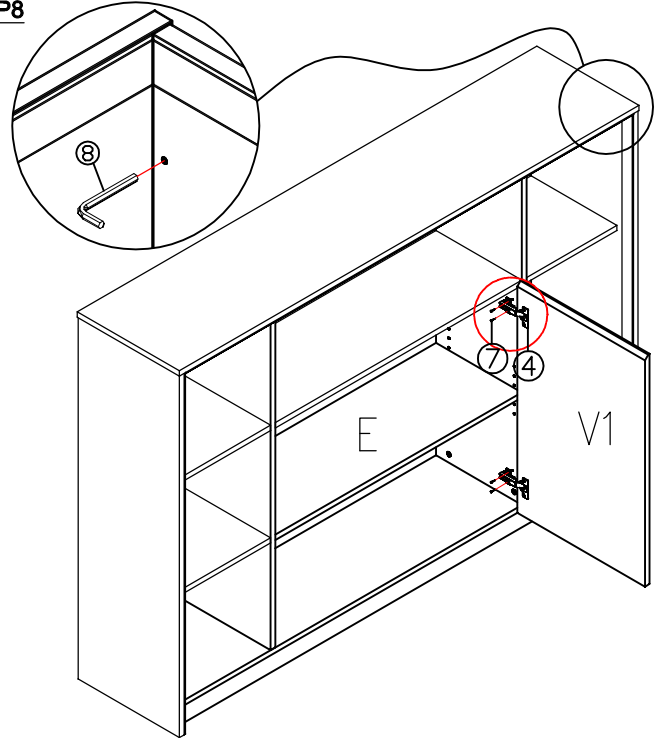
### STEP6



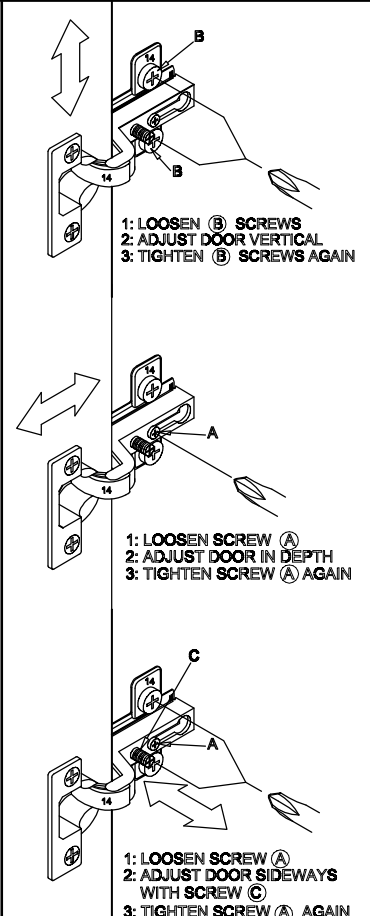
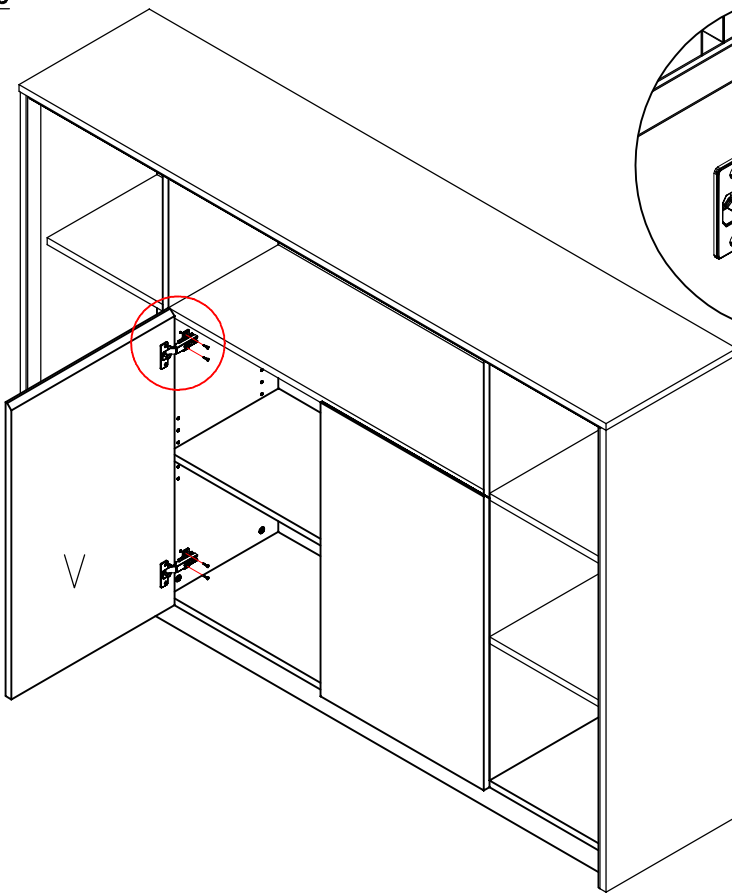
### STEP7

First insert the pin(part#1), then place the cam(part#2), and finally tighten/lock off after they have been put into the melamine.

### STEP8



### STEP9



### IMPORTANT NOTE:

- Place all laminated parts on a clean and smooth surface such as a rug or carpet to avoid the parts from being scratched.
- Check to be sure that you have all parts and hardware.
- Remove all wrapping materials, including staples & packing straps before you start to assemble.
- Don't tighten all screws/bolts until all completely assembled.
- Keep all hardware parts out of reach of children



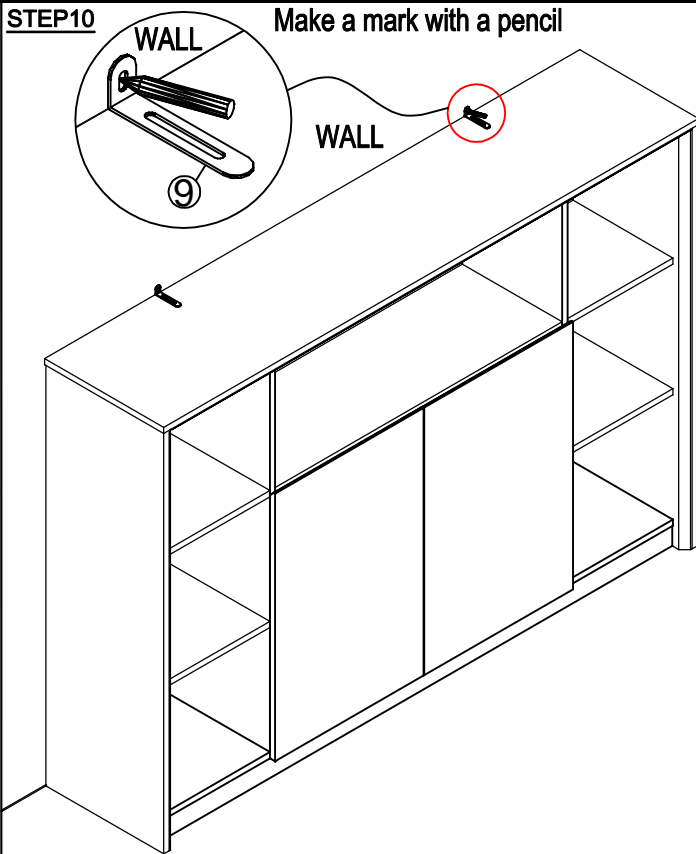
# Assembly Instructions

## MODEL NO:M2-SU182

The warning sticker provided within this hardware kit **MUST** be attached to the piece furniture in a place that is 100% visible when the item is empty.

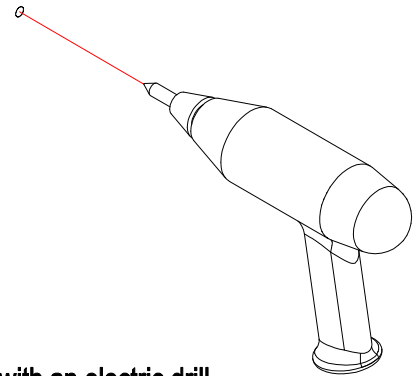
STEP10

Make a mark with a pencil



STEP11

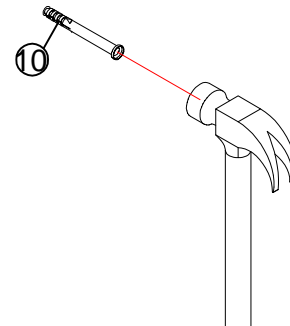
WALL



Drill holes at the marks with an electric drill

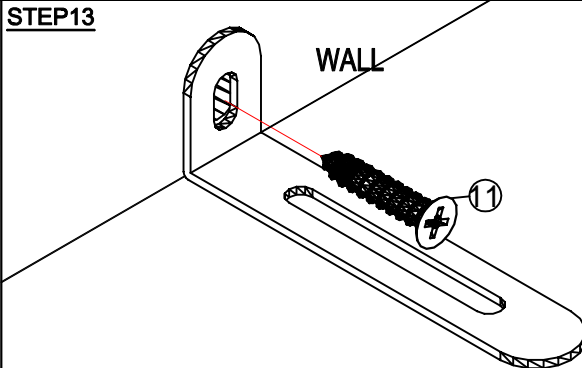
STEP12

WALL



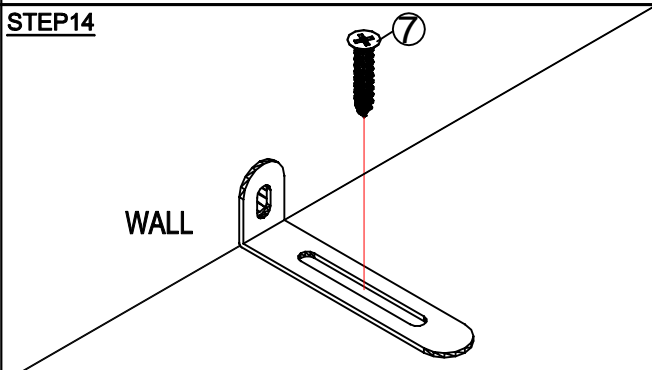
STEP13

WALL



STEP14

WALL



### ⚠ WARNING



NEVER put a TV on this Furniture



**This furniture type is at high risk of toppling over.**

**Children have died from furniture tipover.**

- ALWAYS secure it with an anchor device.
- NEVER allow children to stand, climb or hang on drawers, doors or shelves.
- NEVER open more than one drawer at a time
- PLACE heavy items down low.

Ask staff for more information or visit  
<http://www.productsafety.gov.au>

This is a permanent label. Do not remove!

#### IMPORTANT NOTE:

- Place all laminated parts on a clean and smooth surface such as a rug or carpet to avoid the parts from being scratched.
- Check to be sure that you have all parts and hardware.
- Remove all wrapping materials, including staples & packing straps before you start to assemble.
- Don't tighten all screws/bolts until all completely assembled.
- Keep all hardware parts out of reach of children

