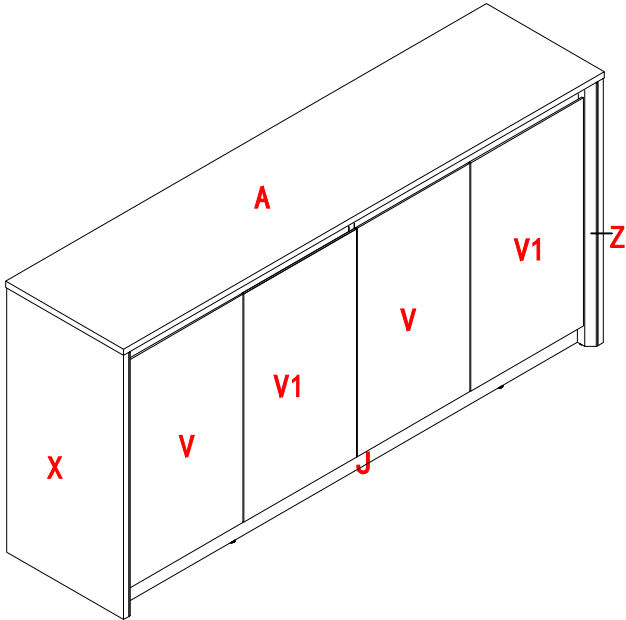


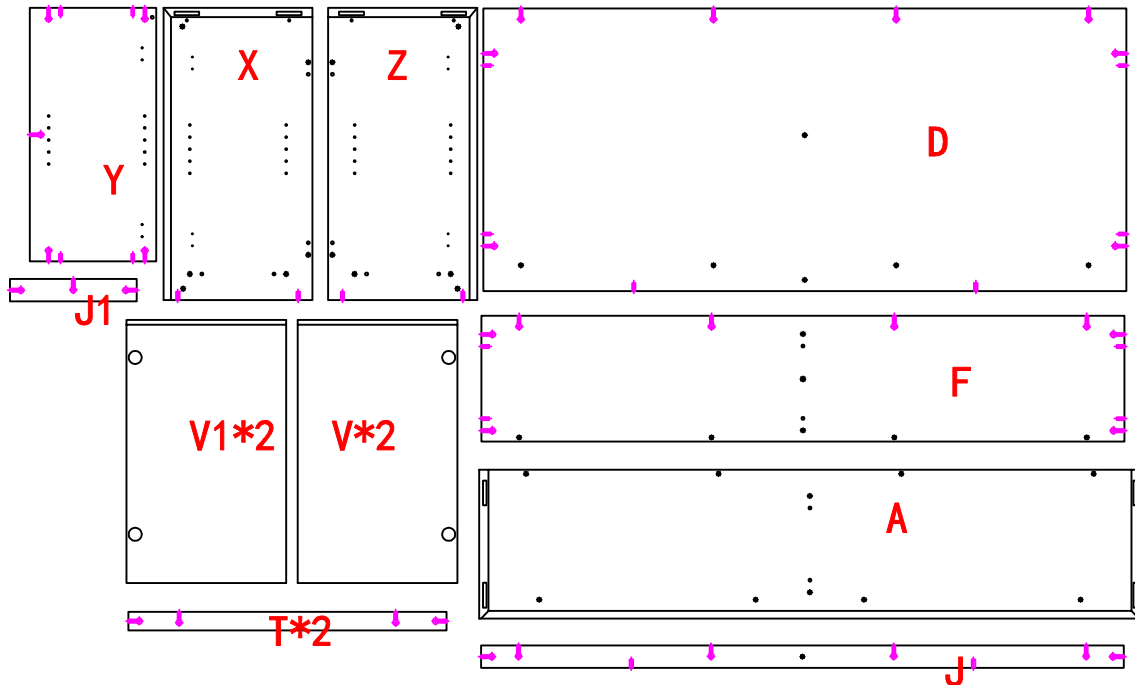
# Assembly Instructions

MODEL NO:M2-LC188



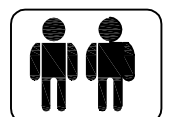
Pin  6x35 1 38PCS	Shelf Pin  5 8PCS	Allen Wrench M4  9 1PCS
Cam  2 38PCS	ADJ. Feet  ø18x5H 6 8PCS	 73x23x15 10 2PCS
Cam Cover  3 38PCS	Wood Screw 4x16  7 50PCS	 ø6x40 11 2PCS
Hinge(inset)  4 4PCS	Hinge(half-overlay)  8 4PCS	Wood Screw 4x40  12 2PCS

## STEP1



### IMPORTANT NOTE:

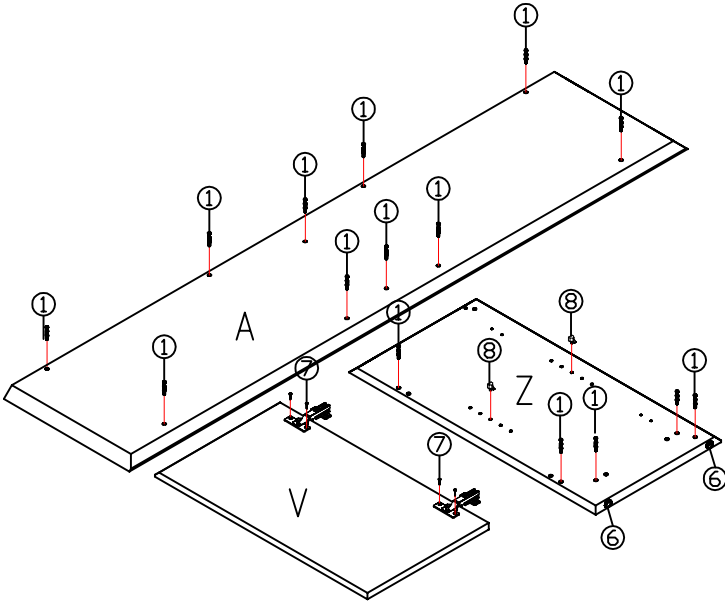
- Place all laminated parts on a clean and smooth surface such as a rug or carpet to avoid the parts from being scratched.
- Check to be sure that you have all parts and hardware.
- Remove all wrapping materials, including staples & packing straps before you start to assemble.
- Don't tighten all screws/bolts until all completely assembled.
- Keep all hardware parts out of reach of children



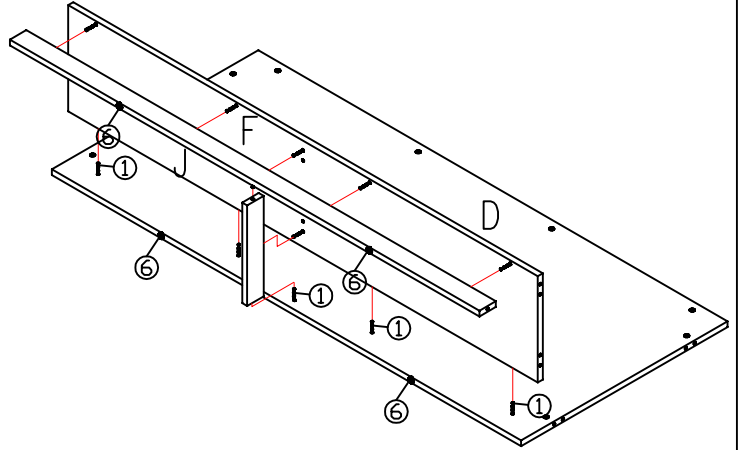
# Assembly Instructions

MODEL NO:M2-LC188

## STEP2

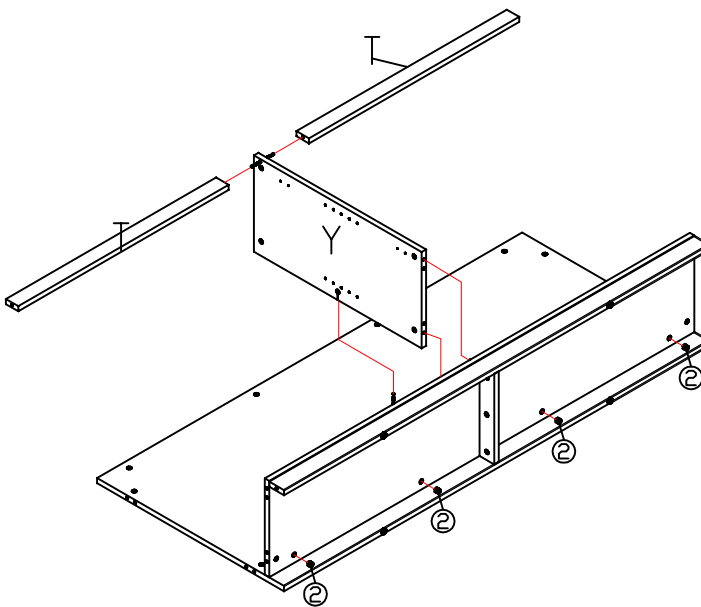


## STEP3



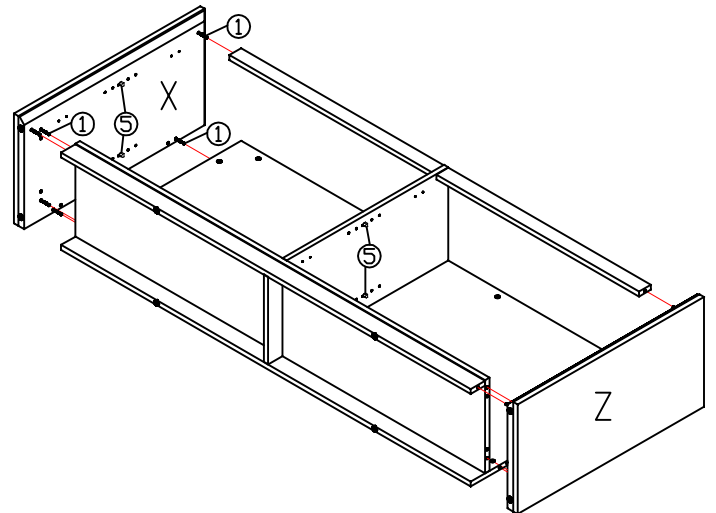
First insert the pin(part#1), then place the cam(part#2), and finally tighten/lock off after they have been put into the melamine.

## STEP4



First insert the pin(part#1), then place the cam(part#2), and finally tighten/lock off after they have been put into the melamine.

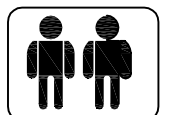
## STEP5



First insert the pin(part#1), then place the cam(part#2), and finally tighten/lock off after they have been put into the melamine.

### IMPORTANT NOTE:

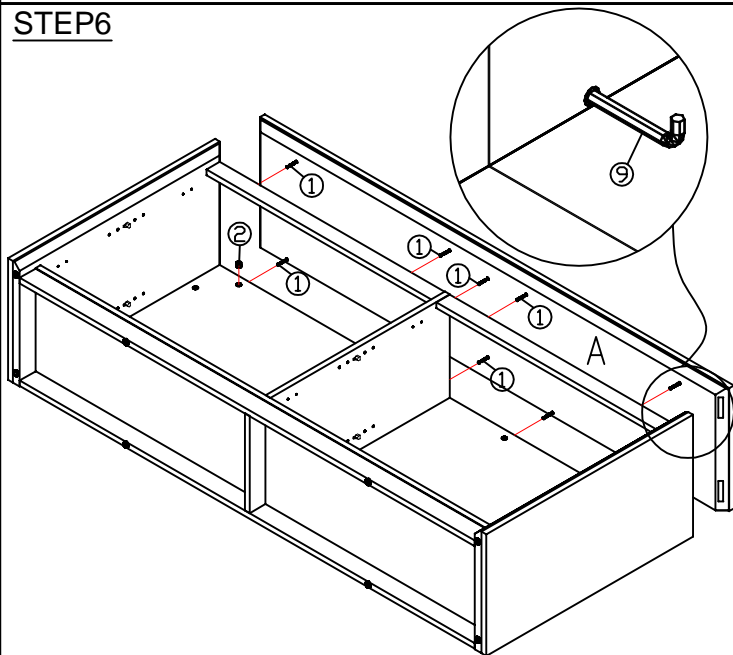
- Place all laminated parts on a clean and smooth surface such as a rug or carpet to avoid the parts from being scratched.
- Check to be sure that you have all parts and hardware.
- Remove all wrapping materials, including staples & packing straps before you start to assemble.
- Don't tighten all screws/bolts until all completely assembled.
- Keep all hardware parts out of reach of children



# Assembly Instructions

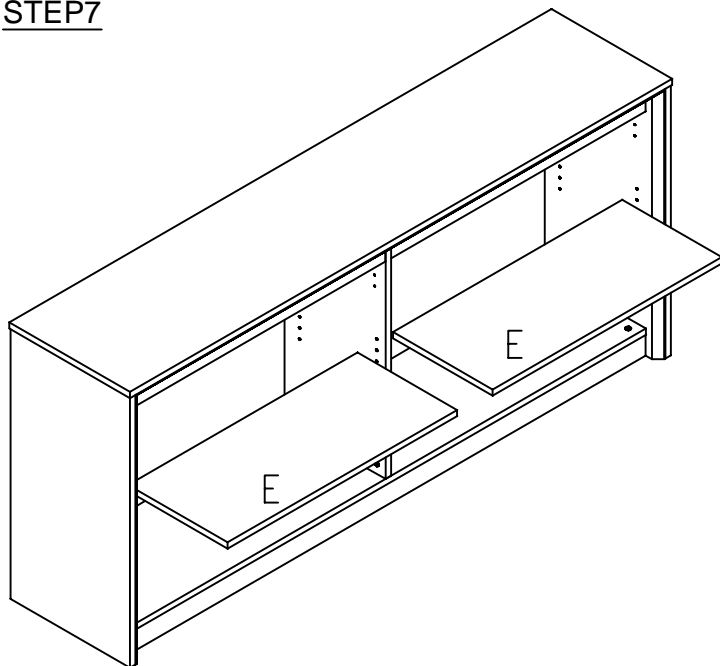
MODEL NO:M2-LC188

## STEP6

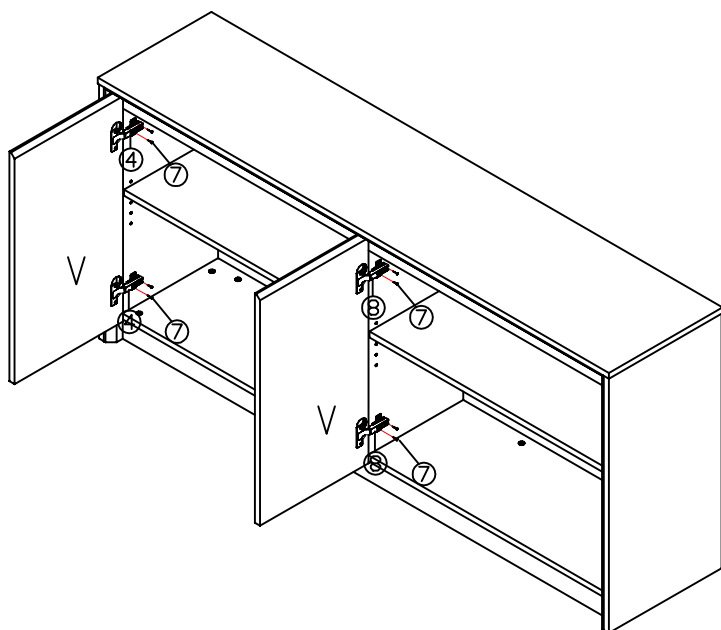


First insert the pin(part#1), then place the cam(part#2), and finally tighten/lock off after they have been put into the melamine.

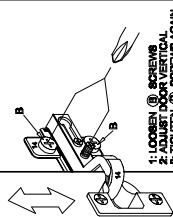
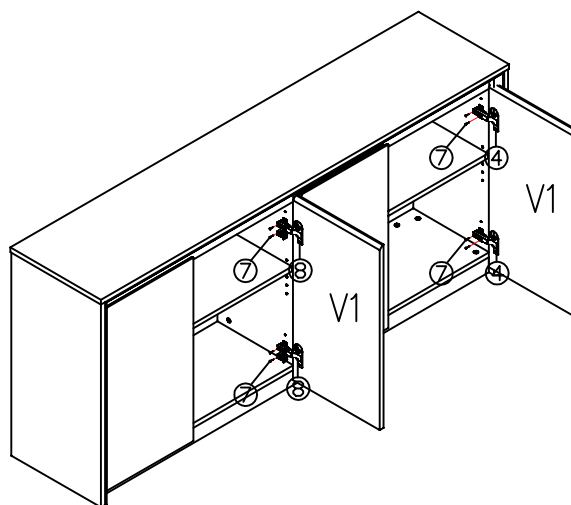
## STEP7



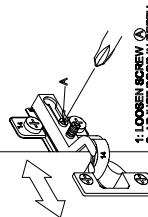
## STEP8



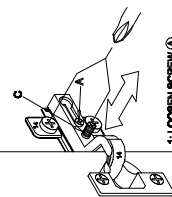
## STEP9



1: LOOSEN (B) SCREWS  
2: ADJUST DOOR IN DEPTH  
3: TIGHTEN (B) SCREWS AGAIN



1: LOOSEN SCREW (A)  
2: ADJUST DOOR IN DEPTH  
3: TIGHTEN SCREW (A) AGAIN



1: LOOSEN SCREW (A)  
2: WITH BARREY (C)  
3: TIGHTEN SCREW (A) AGAIN

### IMPORTANT NOTE:

- Place all laminated parts on a clean and smooth surface such as a rug or carpet to avoid the parts from being scratched.
- Check to be sure that you have all parts and hardware.
- Remove all wrapping materials, including staples & packing straps before you start to assemble.
- Don't tighten all screws/bolts until all completely assembled.
- Keep all hardware parts out of reach of children



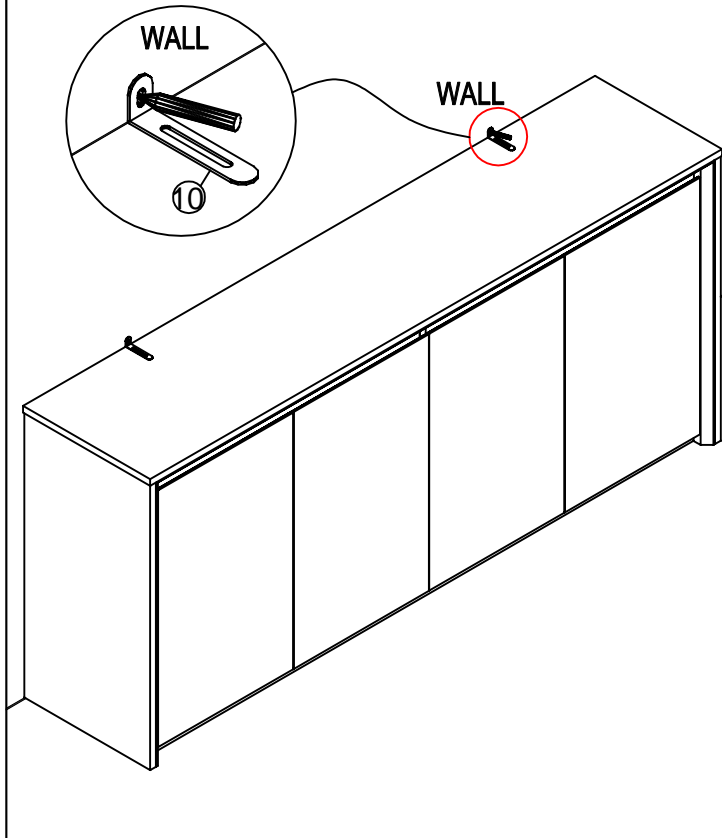
# Assembly Instructions

## MODEL NO:M2-LC188

The warning sticker provided within this hardware kit **MUST** be attached to the piece furniture in a place that is 100% visible when the item is empty.

### STEP10

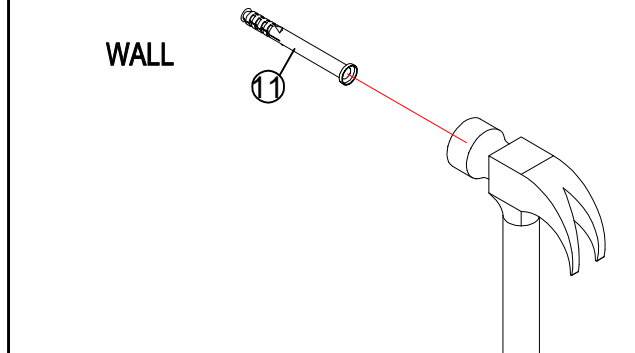
Make a mark with a pencil



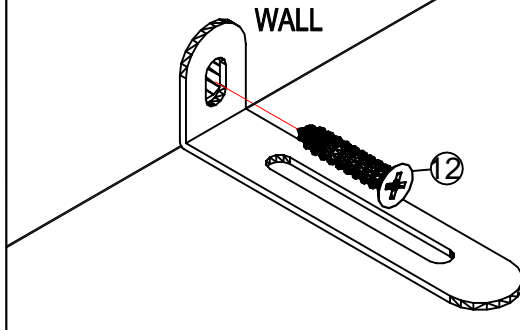
### STEP11

Drill holes at the marks with an electric drill

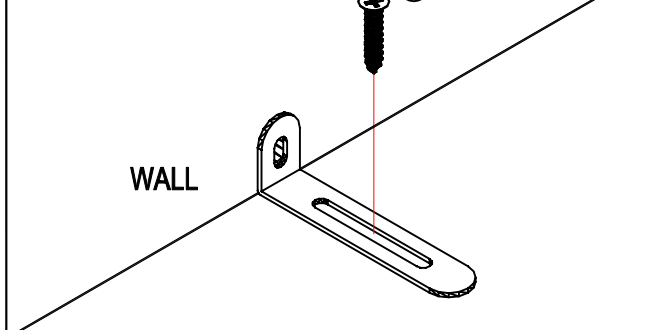
### STEP12



### STEP13



### STEP14



**⚠ WARNING**

**Children have died from furniture tipover.**

- ALWAYS secure it with an anchor device.
- NEVER allow children to stand, climb or hang on drawers, doors, or shelves.
- NEVER open more than one drawer at a time.
- Place heavy items down low.

NEVER put a TV on this furniture

This furniture type is at high risk of toppling over

Ask staff for more information or visit <https://www.productsafety.gov.au>

#### IMPORTANT NOTE:

- Place all laminated parts on a clean and smooth surface such as a rug or carpet to avoid the parts from being scratched.
- Check to be sure that you have all parts and hardware.
- Remove all wrapping materials, including staples & packing straps before you start to assemble.
- Don't tighten all screws/bolts until all completely assembled.
- Keep all hardware parts out of reach of children

