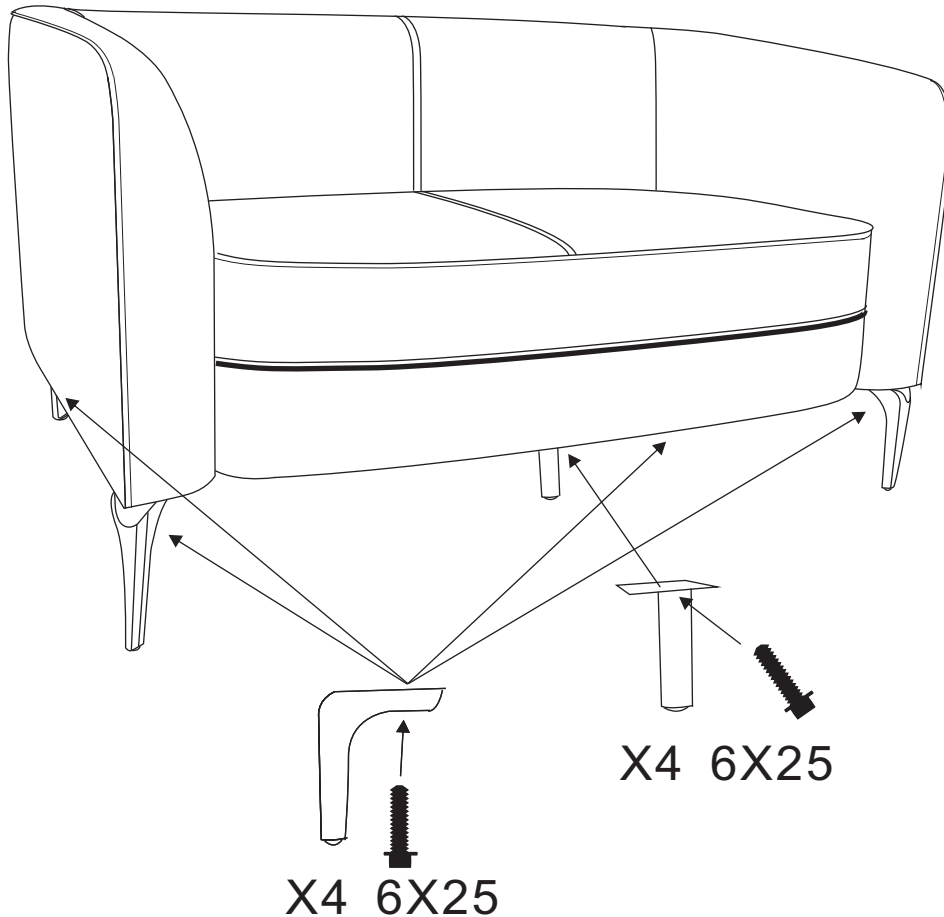


# LISO 2/3 SEATER

A

(1)



## CHAIR CARE

- \*Clean regularly and gently.
- \*Use leather cleaner where leather is applicable.
- \*Use wet towel where is applicable
- \*Test on concealed before proceeding.

## WARNING

- \*Do not use this chair unless all bolts/knob are tightened and this chair is assembled firmly and properly
- \*This chair is for one person to sit on. Do not stand on the chair.
- \*Only trained personnel replace or repair cylinder.
- \*Failure to follow these warnings could result in serious injury.

rapidline